



PROLINE

WESSEX[®] PROLINE

PROFESSIONAL
TURF CARE EQUIPMENT

When only the best will do...



 **WESSEX**[®]
INTERNATIONAL



**MANUFACTURING
EXCELLENCE
SINCE 1962**

Since 1962 the Wessex name has been synonymous with superb quality, British built machines for the agricultural and groundcare markets. Our equipment is built for demanding applications, where reliability and durability are paramount.

DEALER NETWORK

Wessex products are sold exclusively through the Wessex UK dealer and global distributor network. Our dealers have the market knowledge and experience to recommend the correct product for your application, and their in-house service and maintenance department provides a local centre for all your after service requirements.

**WESSEX AFTER-SALES &
SERVICE BACK-UP**

At Wessex International, our care for the customer does not stop at the time of machine purchase. Our dedicated after-sales team with their wealth of experience are here to tend to your needs throughout the working life of the machine. Whether it's machine operation, advice on application, or a technical question over maintenance, we're here to help.

**3 YEAR
WARRANTY**

All RMX rollers mowers, CRX MultiCut mowers and the FRX out-front flails are available with a 3 year manufacturers warranty. These machines come with a standard one year warranty, and a further 2 years is available at no cost by simply returning a request form at the time of machine installation. This can be downloaded via the website.



1962

In the heart of rural Hampshire, Wessex began manufacturing grass cutting and forage equipment.



1970's

Wessex were the first to manufacture a range of scaled down implements to suit the new compact tractor from Japan.



1980's

Wessex increased their focus on equipment to meet the needs of landscapers and grounds maintenance contractors.



1990's

As ATV's started to grow in popularity, Wessex produced a line-up of attachments to suit.



2003

Broadwood International was established as the distributor of quality equipment including the well-known SnowEx salt spreaders & SweepEx push brooms.



2008

Broadwood International acquired Wessex Machinery – now a leading manufacturer of professional grounds maintenance machinery.



2014

In line with the increased focus on global distribution of the Wessex ProLine product range, the company has been renamed Wessex International. This coincides with relocation to the current 50,000sqft factory in Andover, Hampshire.



When only the best will do...

BENEFITS OF A PROFESSIONAL ROLLER MOWER 4-5

RMX RIGID-DECK ROLLER MOWERS

RMX-180 , 1.8m	6
RMX-240 , 2.4m	7
RMX-300 , 3.0m	8
RMX Front Mount	9

RMX TRI-DECK ROLLER MOWERS

RMX-500 , 5.0m	11
RMX-560 , 5.6m	12
RMX-620 , 6.2m	13
RMX-680 , 6.8m	14
RMX-800 , 8.0m	15

CRX MULTI-CUT RIGID DECK MOWERS

CRX-150 , 1.5m	16-17
CRX-180 , 1.8m	16-17
CRX-240 , 2.4m	16-17

CRX TRI-DECK ROLLER MOWERS

CRX-320 , 3.2m	18-19
-----------------------	-------

CRX MULTI-CUT TRI-DECK MOWERS

CRX-410 , 4.1m	20-21
CRX-500 , 5.0m	20-21

STC MULTI-FUNCTIONAL COLLECTORS

STC 120/180 , Sweeper Collector	22-25
STC 120/180 , Flail Collector	22-25
STC 120/180 , Scarifier Collector	22-25

FRX OUT-FRONT FLAIL MOWERS

FRX-150 , 1.5m	26-27
FRX-150-H , 1.5m	26-27



PROUD PARTNERS

OF RFU, IOG, TGA & ETP



England
Rugby
HONOUR PARTNER



INSTITUTE OF GREEN MANAGEMENT
CORPORATE PLUS



LIKE WESSEX? THEN YOU'LL LOVE OUR MERCHANDISING!

See our website for details.



 **WESSEX**[®]
PROLINE 

The Wessex RMX **PROLINE ROLLER MOWER** heralded a new dimension of sports and amenity turf maintenance – **A cost effective way of professional turf mowing.**

No ordinary mower...

The Wessex RMX ProLine roller mower is not to be confused with a rotary topper or finishing mower. With full width rollers front and rear, precision blades and an exceptionally high blade tip speed, a premium cut quality with a professional striped effect is easily achieved.

Traditional cylinder mowers incur high costs!

Traditionally cylinder mowers were the only way to achieve a premium cut. The annual costs of cylinder regrinds, bottom blade replacements, constant bed knife adjustments and hydraulic oil filters were an accepted overhead. With the Wessex RMX ProLine roller mower, this has changed!

"IT SEEMS WESSEX HAVE THOUGHT OF IT ALL"

– SAYS HORTICULTURE WEEK MAGAZINE REPORTER

W **EASY SERVICING AND MAINTENANCE**

The RMX roller mower range has been designed to make essential maintenance easy.



Quarter turn fixings allow quick removal of belt & covers.



Simple cutting height adjustment.

W **KEY FEATURES & BENEFITS**

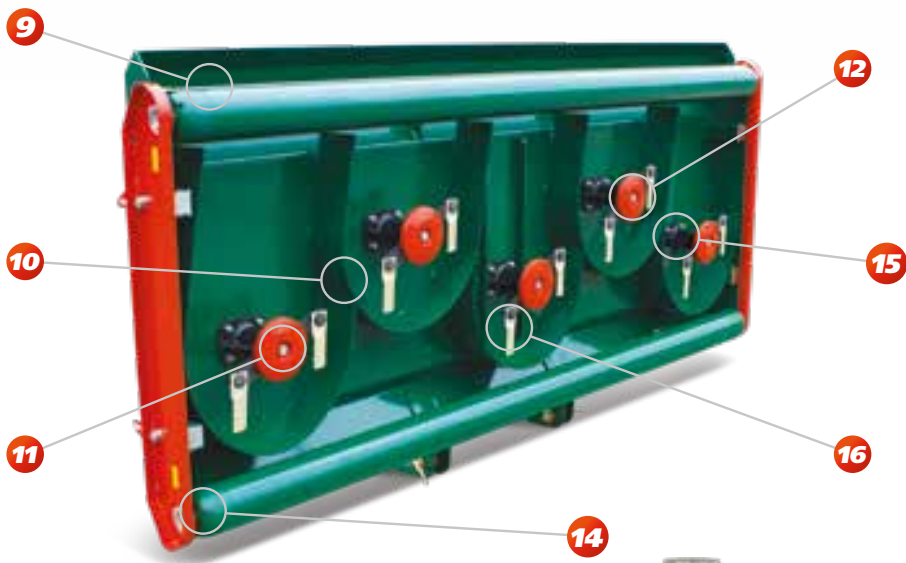
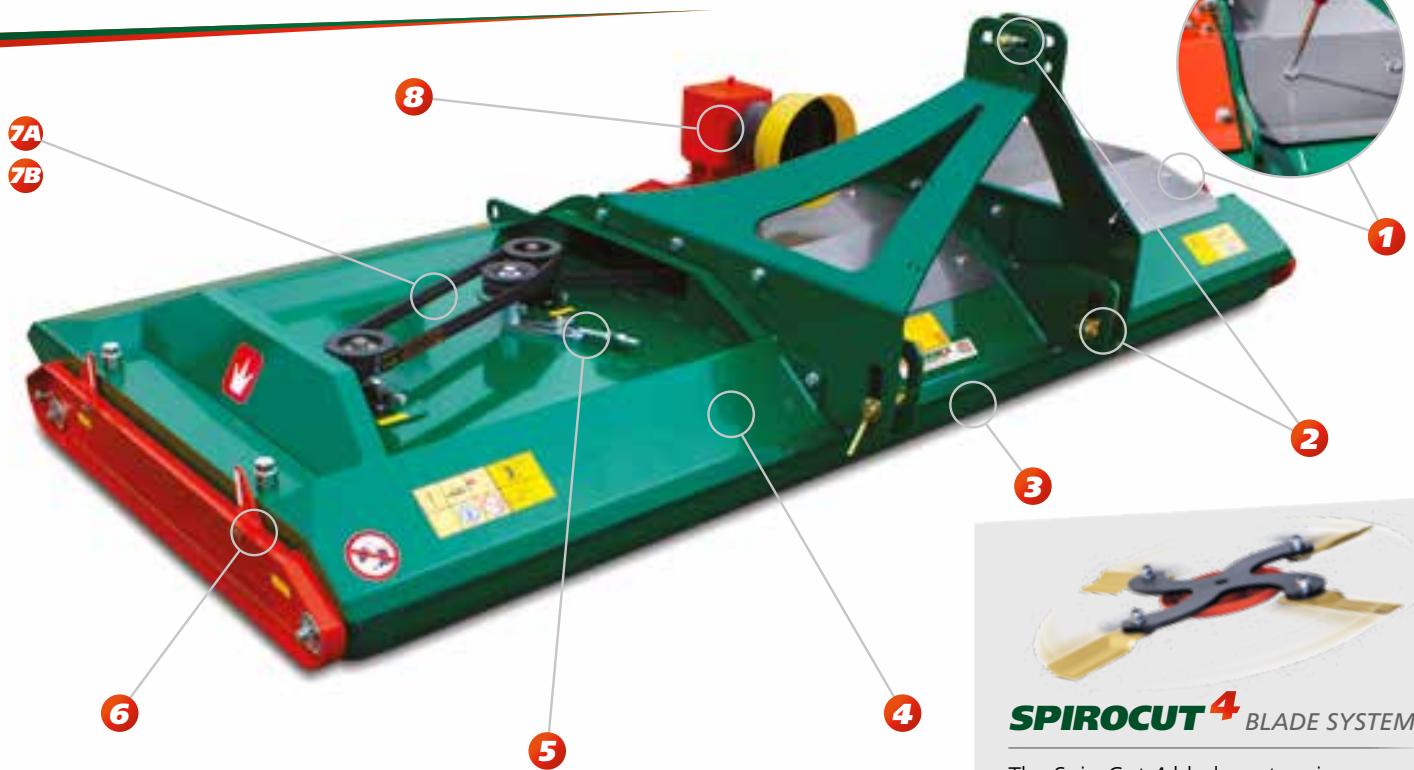
- 1 QUARTER TURN GUARD FIXINGS** – Time saving for ease of maintenance.
- 2 FLOATING LINKAGE POINTS** – Allows ground contours to be followed accurately.
- 3 FULL WIDTH ROLLERS** – Follows ground contours accurately, leaving a professional striped effect on the turf.
- 4 SMM HEAVY PRESSED STEEL DECK** – Integral strength for long service life. Sand blasted and powder coated for maximum durability.
- 5 RIGID BELT TENSIONERS** – Ensures constant power transmission. No bounce as with a spring tensioner.
- 6 SIMPLE CUTTING HEIGHT ADJUSTMENT** – Single spanner operation allows infinite cutting height variation. Greasable threads are enclosed beneath the deck to protect from debris.
- 7A TWIN BELT DRIVE** – For maximum power transmission to cope with larger volumes of grass.
- 7B FINAL BELT DECK DRIVE** – For ultimate driveline shock protection.
- 8 HEAVY DUTY BEVEL GEARBOX** – For smooth and quiet operation
- 9 ROLLER SCRAPER** – Keeps rollers free of debris build-up.
- 10 ROTOR BAFFLES** – Ensure even grass distribution across the full width of the machine.
- 11 SINGLE BLADE BOLT FIXINGS** – Are self tightening and act as shock overload protection.
- 12 ANTI-SCALP DISCS** – Eliminate scalping and protect the turf when cutting very low.
- 13 TWIN TAPERED ROLLER BEARINGS** – Ensure a long service life, as they are designed to withstand side-thrust when turning during mowing.
- 14 CAST ROLLER END CAPS** – Keep maintenance costs to a minimum, as components can be replaced individually.
- 15 FRICTION WELDED CUTTER SPINDLES** – Run in heavy cast housing for maximum durability.
- 16 GOLDCUT BLADES** – Zone hardened precision blades spin at 96m/sec for premium cut quality at a fast forward speed. Blades pivot to minimise stone damage, and have an upturn to generate suction effect.



THE WESSEX BELT-DRIVEN TRANSMISSION OFFERS...

QUIETER OPERATION, LOWER FUEL CONSUMPTION, LOWER MAINTENANCE COSTS

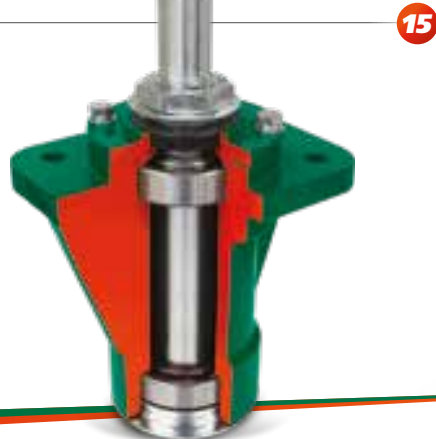
(compared with shaft-driven alternatives)



ROLLER END CAP



SPINDLE ASSEMBLY



SPIROCUT⁴ BLADE SYSTEM

The SpiroCut 4 blade system is a unique cutting system cleverly designed using 4 precision GoldCut blades, a series of curved blade carriers and the laws of centrifugal force to double the cuts per revolution. The SpiroCut 4 blade system will increase work rates and profitability.

PROMULCHER

MULCHING BLADES

As the grass clippings flow over the blades they are thoroughly lacerated on the serrated up-turn. This enhances the decomposition process of the clippings.

(Protected design)



GOLDCUT BLADES





“OTHER GROUNDSMEN COME UP TO ME AND ASK WHAT KIND OF CYLINDER MOWER WE ARE USING? WHEN I TELL THEM IT’S A ROTARY, DISBELIEF TURNS INTO A WHOLE CONVERSATION ABOUT OUR WESSEX PROLINE RMX-180 ROLLER MOWER”

– DAVID HURST - UNIVERSITY GROUNDSMAN

The **RMX-180**, with a 1.8m working width is the smallest of the RMX Series roller mowers. Requiring a tractor of only 30hp, it’s compact design allows easy transport on a trailer – ideal for the contractor needing to transport the machine from site to site.

W BLADE OPTIONS

SPIROCUT⁴ BLADE SYSTEM

PROMULCHER MULCHING BLADES

GOLDCUT BLADES

W SPECIFICATIONS	RMX-180
Cutting width	1.8m
Overall width	1.93m
Approx weight	467kg
Cutting height range	10-100mm
No. of cutting spindles	3
Power required	30hp
Workrate (at 12mph)	7.4 acres/hr



SCAN TO SEE A DEMO RMX-180





"THE WHOLE CLUB ARE SO PLEASED WITH THE RESULTS, AND PEOPLE HAVE REMARKED HOW MUCH BETTER THE PITCHES ARE SINCE WE'VE HAD A WESSEX. IT'S IN ANOTHER LEAGUE ALLTOGETHER."

– JIM - FERGUSON FA GROUNDSMAN

Popular with councils and local authorities, the **RMX-240** with its 2.4m working width is the widest rigid roller mower which can be transported on the public highway behind a tractor.



SPECIFICATIONS

RMX-240

Cutting width	2.4m
Overall width	2.53m
Approx weight	640kg
Cutting height range	10-100mm
No. of cutting spindles	4
Power required	40hp
Workrate (at 12mph)	9.8 acres/hr

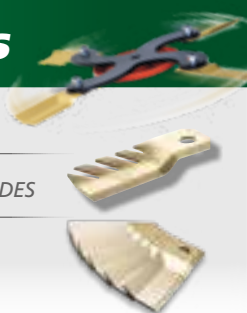


BLADE OPTIONS

SPIROCUT⁴ BLADE SYSTEM

PROMULCHER MULCHING BLADES

GOLDCUT BLADES



SCAN
TO SEE
A DEMO
RMX-240





"WE'RE VERY PLEASED WITH THE FINISH WE GET ON OUR CRICKET OUTFIELD. ADJUSTMENT IS EASY AND SERVICING IS SIMPLE AND ECONOMIC"

– MICHAEL CLARK - PRIVATE SCHOOL GROUNDSMAN

Ideal for large private estates and sports complexes where road travel is not necessary, the **RMX-300** has a working width of 3.0m and will complement tractors from 55hp upwards.

W SPECIFICATIONS RMX-300

Cutting width	3.0m
Overall width	3.13m
Approx weight	722kg
Cutting height range	10-100mm
No. of cutting spindles	5
Power required	55hp
Workrate (at 12mph)	12.3 acres/hr

W BLADE OPTIONS

SPIROCUT⁴ BLADE SYSTEM

PROMULCHER MULCHING BLADES

GOLDCUT BLADES



SCAN TO SEE A DEMO RMX-300





SHOWN WITH OPTIONAL FRONT CASTORING WHEELS

The **RMX-180**, **RMX-240** and **RMX-300** can be front mounted, and require a tractor of only 30hp (RMX-180), 40hp (RMX-240), or 55hp (RMX-300). Optional front castoring wheels are fully height adjustable and puncture proof tyres are provided. Wessex front mounted mowers are suitable for both cat 1 and 2 linkages.

W SPECIFICATIONS

RMX-180 RMX-240 RMX-300

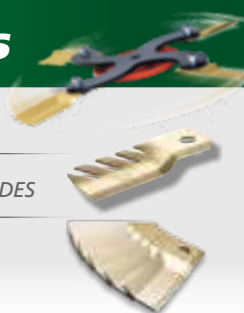
Cutting width	1.9m	2.4m	3.0m
Overall width	1.93m	2.53m	3.13m
Approx weight	467kg	640kg	722kg
Cutting height range	10-110mm	10-110mm	10-110mm
No. of cutting spindles	3	4	5
Power required	30hp	40hp	55hp
Workrate (at 12mph)	7.4 acres/hr	9.8 acres/hr	12.3 acres/hr

W BLADE OPTIONS

SPIROCUT⁴ BLADE SYSTEM

PROMULCHER MULCHING BLADES

GOLDCUT BLADES

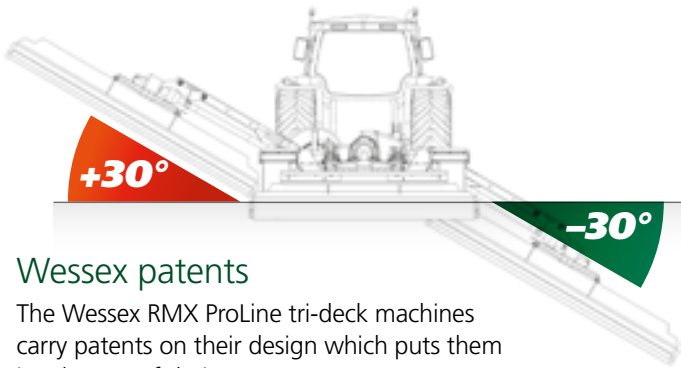


SCAN TO SEE A DEMO RMX-180



BENEFITS OF TRI-DECK MACHINES

The Wessex RMX **PROLINE TRI-DECK** machines have set a new benchmark in high output roller mowers. Incorporating all the benefits of the popular rigid deck units into one superb machine, these mowers are the perfect choice for the council and local authority contractor.



Wessex patents

The Wessex RMX ProLine tri-deck machines carry patents on their design which puts them in a league of their own.



 **PROLIFT**



 **OPTIONAL DEEP SKIDS**



 **SHOWN IN TRANSPORT MODE**

KEY FEATURES & BENEFITS

WING DECKS WILL CUT BETWEEN -30° AND +30° FROM HORIZONTAL – Ideal for bank work.

REARSTEER DECK PIVOTS TO FOLLOW DIRECTION OF TRAVEL – Reduces side turf damage when turning.

INDEPENDENT FLOAT ON ALL DECKS – Superb ground contour following.

TURF TYRES – For minimal ground compaction.

INDEPENDENT SUSPENSION – For smooth road travel.

AVAILABLE IN – 5.0m, 5.6m, 6.2m, 6.8m and 8.0m working widths.

OPTIONAL – Hydraulic brakes, spare wheel and mounting bracket, screw jack, latch actuator kit and deep skids.

REDUCED MAINTENANCE – Low operational costs, save both time and money.

PREMIUM CUT – High blade tip speed gives superb results every time.

REDUCE FUEL CONSUMPTION – Save up to 50% in fuel costs.

PROLIFT SYSTEM – Allows simple partial deck lift for crossing paths

TORQ³ TRANSMISSION SYSTEM

FULL POWER DRIVE TO WING DECKS WHEN OPERATING BETWEEN -30° AND +30° FROM HORIZONTAL – Perfect for bank work and undulating ground.

INDEPENDENT WING CONTROL WITH NO ELECTRO-HYDRAULICS OR CLUTCHES – Low maintenance.

OPERATIONAL WITH ONE OR BOTH WINGS LIFTED – Increased versatility.



 **IDEAL FOR BANK WORK**



"WE ARE ACHIEVING A MUCH BETTER QUALITY FINISH ON THE FOOTBALL AND RUGBY PITCHES COMPARED TO OUR OLD GANGS, AND WE HAVE BEEN ABLE TO USE THE WESSEX MACHINES THROUGHOUT THE YEAR IN ALL SORTS OF VARYING CONDITIONS, AND A LOT FASTER"

– MIKE LAWRIE - MANCHESTER CITY COUNCIL

The **RMX-500** with its 5m working width is the most popular Wessex roller mower with councils and local authority contractors. It requires a tractor of only 70hp, and has a work rate of 20.5 acres/hr.



SPECIFICATIONS

RMX-500

Cutting width	5.0m
Overall width	5.13m
Transport width	2.3m
Centre deck	1.8m
Wing decks	1.8m
Weight	2740kg
Cutting height range	10-100mm
No. of cutting spindles	9
Power required	70hp
Workrate (at 12mph)	20.5 acres/hr



BLADE OPTIONS

PROMULCHER MULCHING BLADES



GOLDCUT BLADES



SCAN TO SEE A DEMO RMX-680





**"THE CUT IS AS GOOD AS OUR OLD GANG MOWERS
AND WE'RE ENJOYING REDUCED MAINTENANCE
WHICH IS SAVING TIME AND MONEY"**

– DAMIEN WOODS - FIFE COUNCIL

With a cutting width of 5.6m the **RMX-560** is very popular with councils, local authority contractors and sports clubs including polo, football, horseracing and rugby.

W SPECIFICATIONS RMX-560

Cutting width	5.6m
Overall width	5.73m
Transport width	2.53m
Centre deck	2.4m
Wing decks	1.8m
Weight	2880kg
Cutting height range	10-100mm
No. of cutting spindles	10
Power required	80hp
Workrate (at 12mph)	23.0 acres/hr

W BLADE OPTIONS

PROMULCHER MULCHING BLADES



GOLDCUT BLADES



SCAN
TO SEE
A DEMO
RMX-560





Bridging the gap between the RMX-560 and RMX-680 is the **RMX-620**. With a cutting width of 6.2m and a narrow transport width it's perfect for those who wish to use a wide area mower on a tractor from 85hp.

W BLADE OPTIONS

PROMULCHER MULCHING BLADES



GOLDCUT BLADES



W SPECIFICATIONS RMX-620

Cutting width	6.2m
Overall width	6.33m
Transport width	2.3m
Centre deck	1.8m
Wing decks	2.4m
Weight	3090kg
Cutting height range	10-100mm
No. of cutting spindles	11
Power required	85hp+
Workrate (at 12mph)	25.5 acres/hr



SCAN
HERE TO
FIND OUT
MORE
CRX-620





"WE NOW HAVE THREE WESSEX MACHINES TO HELP US CUT OVER 400 ACRES OF POLO PITCH PER WEEK. WE CHOSE WESSEX DUE TO THE EXCEPTIONAL CUT QUALITY AND THE VERY LOW MAINTENANCE. THE TURF IS MOWN AT 1 INCH, WHICH HELPS WITH THE SPEED OF THE BALL, AND THIS IS VERY EASY TO SET WITH THE WESSEX"

– MICHAEL - COWDRAY PARK POLO CLUB

Requiring a tractor of only 90hp, The **RMX-680** is a perfect machine for the council, contractor, sports complex or any other large amenity areas, thanks to its impressive workrate of 27.9 acres/hr.

W SPECIFICATIONS RMX-680

Cutting width	6.8m
Overall width	6.93m
Transport width	2.53m
Centre deck	2.4m
Wing decks	2.4m
Weight	3300kg
Cutting height range	10-100mm
No. of cutting spindles	12
Power required	90hp
Workrate (at 12mph)	27.9 acres/hr

W BLADE OPTIONS

PROMULCHER MULCHING BLADES



GOLDCUT BLADES



SCAN
TO SEE
A DEMO
RMX-680





“SUCH A SUPERB CUT QUALITY, AND WE’RE GETTING SO MUCH MORE GRASS CUT IN ONE DAY. I WISH WE’D BOUGHT ONE 10 YEARS AGO!”

– KEVIN AUSTIN - A1 TURF SUPPLIES

The **RMX-800** with its massive 8.0m working width will cover the ground like nothing else!

It’s getting bigger and better!

This superb machine will leave a premium cut quality at a stunning rate of nearly 40 acres per hour. Ideally suited to turf growers and polo pitches, or anyone who is cutting large acreage regularly and wanting a superb finish and fast!

W SPECIFICATIONS

RMX-800

Cutting width	8.0m
Overall width	8.13m
Transport width	2.53m
Centre deck	2.4m
Wing decks	3.0m
Weight	3465kg
Cutting height range	10-100mm
No. of cutting spindles	14
Power required	110hp
Workrate (at 12mph)	38.6 acres/hr

W BLADE OPTIONS

PROMULCHER MULCHING BLADES



GOLDCUT BLADES



SCAN TO SEE A DEMO RMX-800



The Wessex **PROLINE CRX SERIES** MultiCut mowers are truly at the cutting edge of turf mowing technology, offering a cut quality equal to a cylinder mower on sports turf at a fraction of the purchase price and maintenance costs.

Featuring a blade tip speed on a par with the long-proven RMX series professional roller mowers to give that same superb cut quality, the CRX decks also have incorporated the Wessex 'TornadoVent' air-flow system ensuring optimum efficiency in longer grass as well as fine turf. Another unique feature of the CRX series is the option of the 3 different wheel / roller combinations. 4 wheels give maximum manoeuvrability in confined spaces and around obstructions, whilst 2 rollers are preferred when in wide open areas.

The unique Wessex combination mower gives the best of both worlds, with castoring wheels at the front to reduce turf scuffing whilst turning, and a rear roller for the prestigious striped effect on the turf. The CRX rigid decks are also available for front mounting onto a standard cat 1, front linkage, subject to the tractors PTO speed and direction. The CRX rigid decks are available in 1.5m, 1.8m & 2.4m working widths to suit tractors from 18hp+.



KEY FEATURES & BENEFITS

- ANTI-SCALP ROLLERS** – Prevents scalping
- TORNADO-VENTS** – Precise air-flow for premium cut and clipping dispersal
- ALL SPINDLES GREASABLE ABOVE THE DECK** – Ease of maintenance
- SIMPLE BELT ADJUSTMENT** – Ease of maintenance
- FINAL BELT DECK DRIVE** – For ultimate driveline shock protection
- WHEEL HEIGHT ADJUSTMENT BY GREASELESS REMOVABLE BUSHES**
- ROLLERS ADJUSTED BY SIMPLE SCREW-THREAD MECHANISM** – Easy height adjustment
- PUNCTURE PROOF DECK TYRES** – No down time
- HIGH BLADE TIP SPEED** – Premium finish at fast forward speeds
- BAFFLES AROUND BLADES** – Even grass distribution
- CHOICE OF WHEELS OR ROLLERS** – 3 modes, your choice



UNIQUE BENEFITS

TORNADO VENTS

Air rushes through the vents to ensure the grass is lifted for a perfect, clean cut every time



CRX OPTIONS & MODES

Options

MULCH BLADE OPTION



Options

REVERSABLE HEAD STOCK FOR FRONT MOUNTING



Options

OPTIONAL SIDE DISCHARGE AVAILABLE



Mode 1

FINISHING MOWER



Mode 2

ROLLER MOWER



Mode 3

COMBINATION MOWER





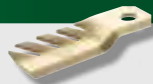
The **CRX RIGID DECK MOWERS** are ideal for maintaining areas of high quality turf behind a small tractor, ie, Private estates, large gardens and sports pitches.

W SPECIFICATIONS

	CRX-150	CRX-180	CRX-240
Cutting width	1.5m	1.8m	2.4m
Overall width	1.66m	1.96m	2.56m
Transport width	1.66m	1.96m	2.56m
Approx weight	266kg	294kg	365kg
Cutting height range	10-110mm	10-110mm	10-110mm
No. of cutting spindles	3	3	3
Power required	18hp	20hp	25hp

W BLADE OPTIONS

PROMULCHER MULCHING BLADES



GOLDCUT BLADES



SCAN
HERE TO
FIND OUT
MORE





“THE CLIPPINGS DISPERSAL OF THIS MACHINE IS SO GOOD THAT WE NO LONGER NEED TO USE OUR SWEEPER COLLECTOR ON THE FAIRWAYS. THIS MEANS WE NOW HAVE A SPARE MAN FOR OTHER TASKS, WHICH IS FANTASTIC”

– LECKFORD GOLF COURSE

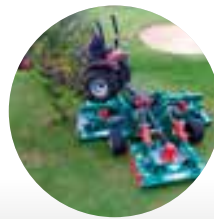
The Wessex **PROLINE CRX-320** is the most nimble, smooth, ground hugging Wessex machine to date.

The CRX-320 really is an exceptional mowing experience! With full width rollers front and rear and 3.2m wide, it's nothing short of a precision cut and outstanding stripe. Keeping the rollers as close as possible maximises ground contour following, with excellent floating capabilities to closely hug the undulations. The renowned CRX swing tip Gold Cut blades give you the superb cut and make for easy maintenance, while the wide-angle PTO gives you tight-turn capabilities for increased manoeuvrability.

All you need is a 35hp tractor and only one double acting spool valve, which makes it economical to operate with the simplest

machinery. Simple too is the belt tension for quick and easy maintenance and the cutting height adjustment, between 10mm and 110mm, is equally straightforward. Minimal and easy access grease points and shrouded PTO's equate to long service intervals.

The CRX-320 is made road-going with an optional highway kit for road-legal towing, so you can easily move from place to place. And with a 3-year warranty, what more could you ask for? The testimony to that is in the build quality, with 5mm steel plate decks making this mower robust and durable, and the aforementioned features that make the CRX-320 the perfect choice for maintaining your golf course or sports turf.



**TIGHT
TURN**



**PRO
LIFT**



**SIMPLE
CUTTING HEIGHT
ADJUSTMENT**



SCAN
HERE TO
FIND OUT
MORE
CRX-320





W SUPER CONTOUR CAPABILITIES – GREAT FOR USE ON UNDULATING GROUND

W KEY FEATURES & BENEFITS

- FULL WIDTH ROLLERS FRONT & REAR** – Precision cut and full width stripe on the turf
- COMPACT ROLLER CONFIGURATION** – Maximises ground contour following
- EXCELLENT FLOATING CAPABILITIES** – Hugs the undulations closely
- CRX SWING TIP BLADES** – Superb cut and easy maintenance
- WIDE ANGLE PTO** – Zero turn capabilities
- REQUIRES ONLY 35HP TRACTOR** – Economical to operate
- REQUIRES ONLY ONE DOUBLE ACTING SPOOL VALVE** – Complements the simplest tractor

- TURF TYRES** – Minimal turf compaction
- OPTIONAL HIGHWAY KIT** – Allows road legal towing
- FINAL BELT DECK DRIVE** – For ultimate driveline shock protection
- SIMPLE BELT CHECK WITHOUT REMOVING THE GUARDS** – Quick & easy maintenance
- 5MM STEEL PLATE DECKS** – Robust & durable
- PROLIFT** - Allows simple partial deck lift for crossing paths
- EASY CUTTING HEIGHT ADJUSTMENT** – 10 - 110mm
- BAFFLES AROUND BLADES** – Even grass distribution

W BLADE OPTIONS

PROMULCHER MULCHING BLADES



GOLDCUT BLADES



W SPECIFICATIONS CRX-320

Cutting width	3.2m
Overall width	3.35m
Transport width	2.1m
Approx weight	1,360kg
Cutting height range	10-110mm
No. of cutting spindles	9
Power required	35hp+

The Wessex **PROLINE CRX-410** and **CRX-500** are superb Tri-Deck mowers, suited to tractors from 35hp upwards. They are ideal for maintaining sports pitches, playing fields and amenity turf, as well as golf course rough and semi-rough. Some courses are even using them on the fairways.

The decks all float independently meaning ground contours can be followed accurately and the individual decks are all available in any of the wheel / roller combinations. This means the operator can choose whether or not to leave a striped effect on the turf. All three decks can pivot on both axis and the rear deck can twist to follow the direction of travel thanks to the patented RearSteer linkage. This reduces scuffing on the turf.

Both models have a wheel gear rated at 40kph, meaning they can be towed on the highway from site to site, and a road lighting kit is available as an option. Safety catches on all decks ensure the decks are secured in the transport mode when on the highway. The wide-angle PTO shafts allows zero-turn capability when manoeuvring around obstacles and the low-ground pressure tyres give minimal turf compaction in work. The ProLift option allows all three decks to be lifted clear of the ground simultaneously when turning if required for cross cutting applications.

KEY FEATURES & BENEFITS

- 1 ADJUSTABLE DRAWBAR** – Suits all tractors
- 2 WIDE ANGLE PTO** – Tight turning circle
- 3 DUAL AXIS PIVOT MECHANISM** – Follows ground contours accurately
- 4 WIDE TURF TYRES** – Minimal ground compaction
- 5 SUSPENSION** – Smooth Travel
- 6 SAFETY CATCHES ON ALL DECKS** – Security in transport
- 7 TORNADO VENTS** – Ensures the correct airflow through the machine for maximum efficiency in longer grass areas
- 8 ULTIMATE SAFETY AND EXCLUSION OF DUST TO INCREASE SERVICE LIFE**
- 9 PATENTED LINKAGE ALLOWS REARSTEER DECK TO FOLLOW DIRECTION OF TRAVEL** – Minimal turf scuffing

NS NOT SHOWN

HIGHWAY KIT – Mud guards and rear lights

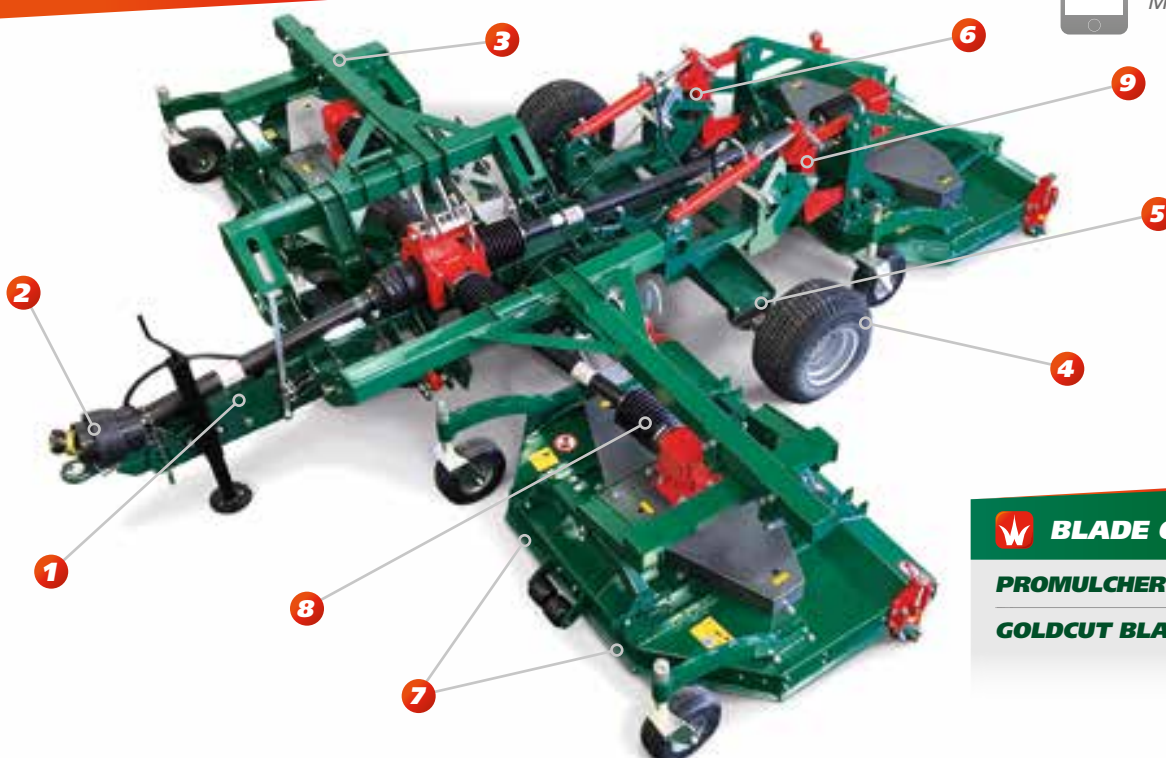
PROLIFT – allows simple partial deck lift for crossing paths

ROTOR BAFFLES – Ensure even grass distribution across the full width of the machine.

CRX-410 COMBINATION MOWER.
ALSO AVAILABLE AS A FINISHING OR ROLLER MOWER.
SEE PAGE 16 FOR MORE DETAILS



SCAN
HERE TO
FIND OUT
MORE



BLADE OPTIONS

PROMULCHER MULCHING BLADES



GOLDCUT BLADES





CRX-410



CRX-500

Fast, nimble and versatile the **CRX-410** and **CRX-500** are ideal for golf course rough and semi-rough, fairways, as well as sports turf and general amenity applications.

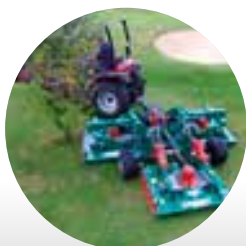
UNIQUE BENEFITS

SPECIFICATIONS CRX-410 CRX-500

Cutting width	4.1m	5.0m
Overall width	4.24m	5.140m
Transport width	2.1m	2.1m
Approx weight	1,500kg	1,665kg
Cutting height range	10-110mm	10-110mm
No. of cutting spindles	9	9
Power required	35hp+	40hp+



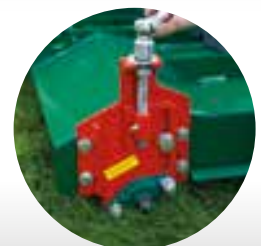
TORNADO VENTS



TIGHT TURN



PRO LIFT



SIMPLE CUTTING HEIGHT ADJUSTMENT

MULTI-FUNCTIONAL COLLECTORS

Available in 1.2m and 1.8m working widths, the **STC** collector is a true, all-year-round machine for the maintenance of public parks, large amenity areas, sports turf and private estates.

Whether the requirement is for a flail collector to cut and collect on an out of season wild flower meadow, a professional scarifier for use on a sports pitch, or for a sweeper collector for clearing autumn leaves from areas of parkland, the STC-120/180 is the ideal machine.

W KEY FEATURES & BENEFITS

MULTIFUNCTIONAL – Use one machine for sweeping, scarifying and flail mowing.

ALL YEAR ROUND MAINTENANCE MACHINE – Reduced capital outlay.

LARGE CAPACITY HOPPER – For improved workrates.

SEMI MOUNTED TO THE TRACTOR – High capacity machine on a small tractor, reduces running costs.

HYDRAULIC TIP – Ease of emptying.

WIDE TURF TYRES – Minimal ground compaction.

ADJUSTABLE DRAWBAR – Ideal for various size tractors.

RUNS ON ITS OWN FOUR WHEELS – Follows ground contours accurately.

SIMPLE HEIGHT ADJUSTMENT – Ease of operation.

PREMIUM POWDER-COAT PAINT FINISH – Maximum durability.



W **ADJUSTABLE DRAWBAR**





Mode 1

STC SWEEPER COLLECTOR

Collects autumn leaves and debris brilliantly.

When in sweeping mode, the STC is fitted with the brush rotor comprising 4 banks of hard-wearing polypropylene bristles which will lift autumn leaves, grass clippings and litter effortlessly into the hopper. The bristles, which are secured firmly into a pre-drilled strip with a wire staple, are a generous length to give a good 'flick' action ensuring that the material is thrown to the back of the hopper.

Mode 2

STC FLAIL COLLECTOR

Tackling long or short grass is no problem!

As a flail collector, the STC is fitted with a large diameter steel drum rotor with 4 rows of closely spaced flails, and 2 rows of draft paddles to create the suction for collecting the grass. The STC has no narrow throat as with many collectors, therefore long or short grass will be collected efficiently without blocking even in wet conditions.

Not only will the STC leave a fine finish on short turf, but is also ideal for end of season clearance of wild flower areas or golf course rough.

Mode 3

STC SCARIFIER COLLECTOR

Leaves sports turf at the top of it's game!

When in scarifying mode, the flail blades are replaced with 2mm verti-cutting knives for a professional scarifying operation. Ideal for sports field work or lawns, the STC scarifier will leave a clean cut through the turf at approx. 30mm centres and will collect the debris in one pass.



SCAN TO SEE A DEMO STC MODES AS...



SWEEEPING LEAVES



FLAIL COLLECTING



Mode change

Whatever mode the STC is purchased in, the option change kits allows the machine to be simply converted to perform the other 2 functions.

OPTION CHANGE KITS

FROM	TO	STC-120	STC-180
Scarifier	Flail mower (flails only)	OCK 3	OCK 10
Scarifier	Flail mower (rotor change)	OCK 6	OCK 13
Scarifier	Sweeper	OCK 5	OCK 12
Flail mower	Scarifier (flails only)	OCK 4	OCK 11
Flail mower	Scarifier (rotor change)	OCK 7	OCK 14
Flail mower	Sweeper	OCK 5	OCK 12
Sweeper	Scarifier	OCK 1	OCK 8
Sweeper	Flail mower	OCK 2	OCK 9

SPECIFICATIONS STC-120 STC-180

Working width	1.2m	1.8m
Overall width	1.6m	2.2m
Hopper capacity	1.5m ³	2.25m ³
Weight (in sweeper mode)	520kg	635kg
Power required	18hp	25hp



Mode 1

 **STC SWEEPER COLLECTOR**



Mode 2

 **STC FLAIL COLLECTOR**



Mode 3

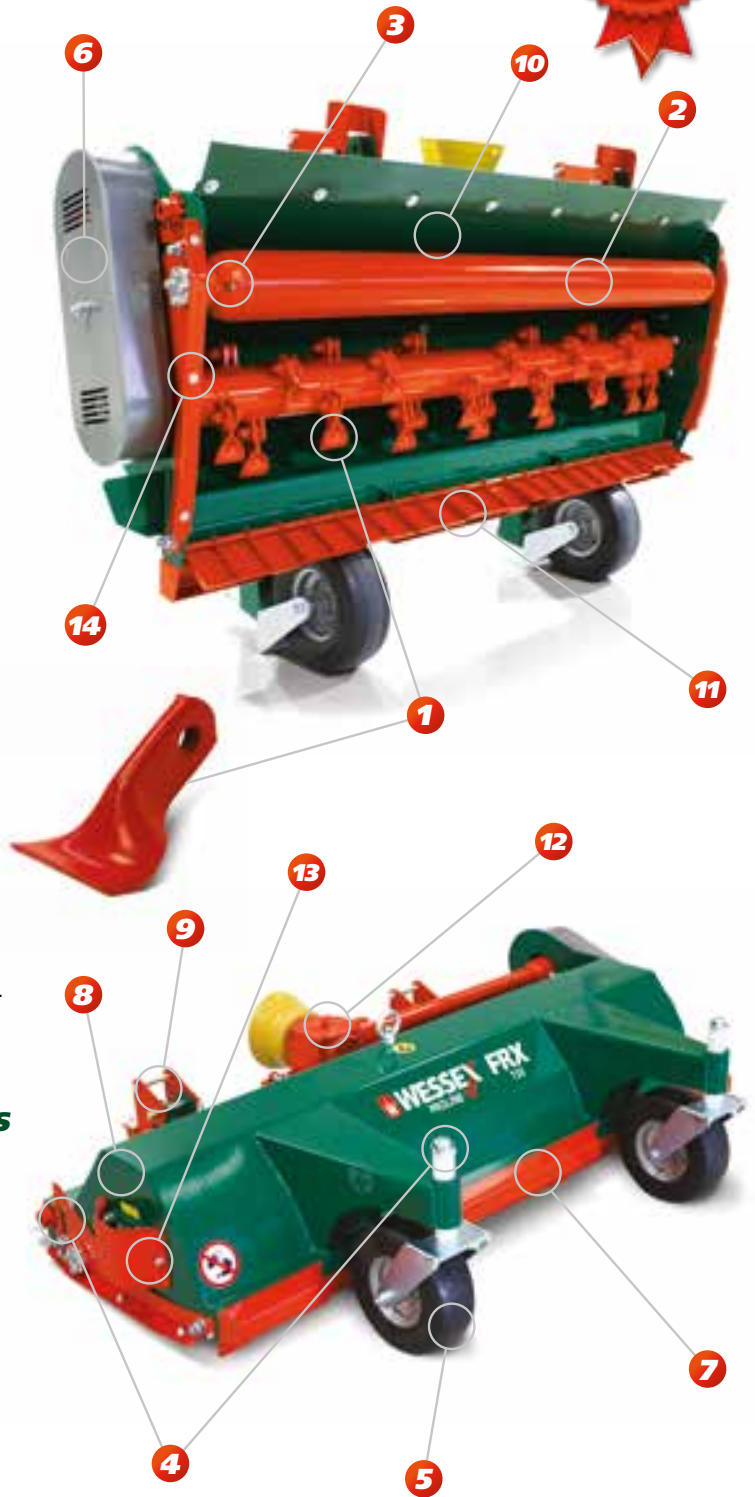
 **STC SCARIFIER COLLECTOR**



Reduced budgets and less frequent mowing cycles mean that the local authorities require a machine that will cut and mulch lush grass without untidy swathing, as with a rotary mower. The Wessex **FRX-150/FRX-150-H** (hydraulic version) out-front flail mowers will do just that!

KEY FEATURES & BENEFITS

- 1 AERODYNAMIC FLAILS** – Minimum power consumption.
- 2 FULL WIDTH ANTI-SCALP ROLLER** – No unsightly scalping.
- 3 INTEGRAL ROLLER BEARINGS** – Protected for long service life.
- 4 SIMPLE AND POSITIVE HEIGHT ADJUSTMENT** – Ease of operation.
- 5 PUNCTURE PROOF TYRES** – Low maintenance.
- 6 TWIN DRIVE BELT TRANSMISSION** – Handles dense vegetation.
- 7 FULLY GUARDED TO HSE SPECIFICATIONS** – Meets local authority requirements.
- 8 CONTIFLOW DECK DESIGN** – Low profile deck design follows the path of the flails at a constant distance increasing the suction effect and improving mulching efficiency.
- 9 FLOATING LINKAGE** – Excellent ground contour following and a generous lift height which is ideal for kerb clearance and trailer ramps etc.
- 10 WIDE OUTLET** – Maximum performance in long grass.
- 11 HARDENED STEEL STONE GUARDS** – Safety in public areas.
- 12 RIGHT ANGLE DRIVE GEARBOX OR HYDRAULIC MOTOR** – Smooth and quiet operation.
- 13 ROTOR BEARING GUARDS** – Protected for long service life.
- 14 ADJUSTABLE SIDE SKIDS WITH REMOVABLE WEAR-SHOES** – Low maintenance costs.



SPECIFICATIONS FRX-150 FRX-150-H

Cutting width	1.5m	1.5m
Overall width	1.73m	1.73m
Weight	220kg	212kg
Cutting height range	25-100mm	25-100mm
No. of flails	34	34



**SCAN
TO SEE
A DEMO
FRX 150**



**WILL SUIT MOST LEADING BRANDS OF POWER UNIT INCLUDING, JOHN DEERE,
KUBOTA, SHIBAURA, NEW HOLLAND, RANSOMES, STIGA, ISEKI & TORO**



WESSEX SPARE PARTS

OPTIONAL EXTRAS

WINTER SERVICE KIT



PROMOTIV XP2



SPARE PARTS

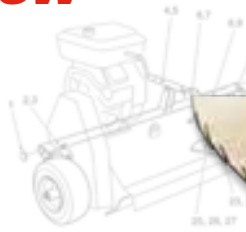
ORDER YOUR WESSEX PARTS ONLINE NOW!

GO TO www.wessexintl.com/parts

TO ORDER YOURS NOW



SCAN
THE CODE
TO FIND
OUT MORE



WHY SHOULD YOU TAKE THE PLUNGE?

- ✓ USUAL DISCOUNT APPLIES
- ✓ PAY ON ACCOUNT OR VIA PAYPAL
- ✓ CHECK STOCK LEVELS
- ✓ VIEW EXPLODED DIAGRAMS
- ✓ THE WEBSITE IS OPEN 24 HOURS A DAY, 365 DAYS A YEAR
- ✓ HISTORY - SEE WHAT YOU ORDERED AND WHEN (PERFECT FOR RE-ORDERING)

ORDER ONLINE NOW...

WINTER SERVICE KIT

Regular maintenance is essential to maintain optimum performance from your machine. The Winter Service kit includes GoldCut blades, fixings, drive belts and ProMotiv grease.

PROMOTIV XP2

HIGH PERFORMANCE GREASE

The Wessex ProMotiv XP2 is a high quality, general purpose grease which is recommended for the general lubrication of moving parts, i.e. height adjustment, roller bearings, PTO shaft and UJ's etc. The Wessex ProMotiv XP2 is a specially formulated lithium based grease with high speed and high temperature properties, and should be used in the RMX spindles, due to their high RPM.

MANUFACTURING EXCELLENCE SINCE 1962

SPARE PARTS

Only genuine Wessex spare parts should be used to maintain optimum performance from your Wessex machine. To minimise costly machine downtime, parts orders are dispatched daily to our professional dealer network by next-day carrier service (UK mainland), and 2 day for UK Highlands & Islands. If ordered before 1:00pm, parts will be dispatched the same day (subject to availability). **Our online parts store is open 24 hours a day, 365 days a year.** Order your parts from your mobile or computer and we'll take care of the rest.

T: 01264 345878 **E:** parts@wessexintl.com

Dealer stamp



WESSEX INTERNATIONAL Charlton House, Caxton Close, East Portway Ind. Est., Andover, Hampshire, SP10 3QN
T: 01264 345870 **F:** 01264 345880 **E:** sales@wessexintl.com www.wessexintl.com Follow us on: [f](#) [t](#) [in](#) [@](#)

L505. © Wessex International 2019. E&OE. Specifications may change without notice. Wessex International is a trading name of Wessex International Machinery.

